

THIS DRAWING IS UNPUBLISHED.

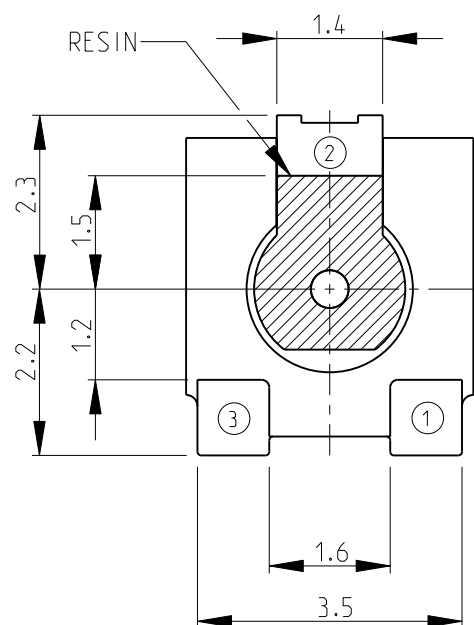
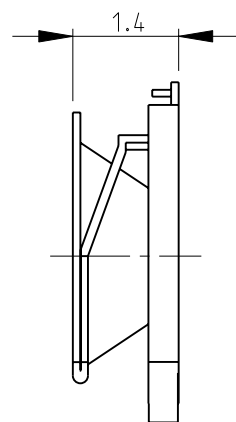
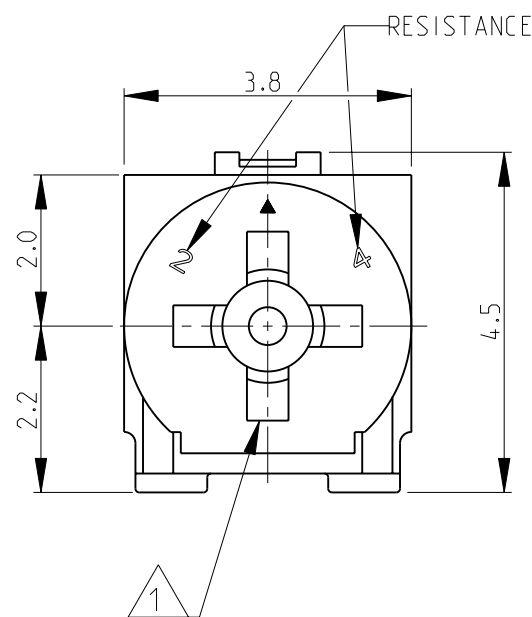
RELEASED FOR PUBLICATION

2008

© COPYRIGHT 2008 BY -

ALL RIGHTS RESERVED.

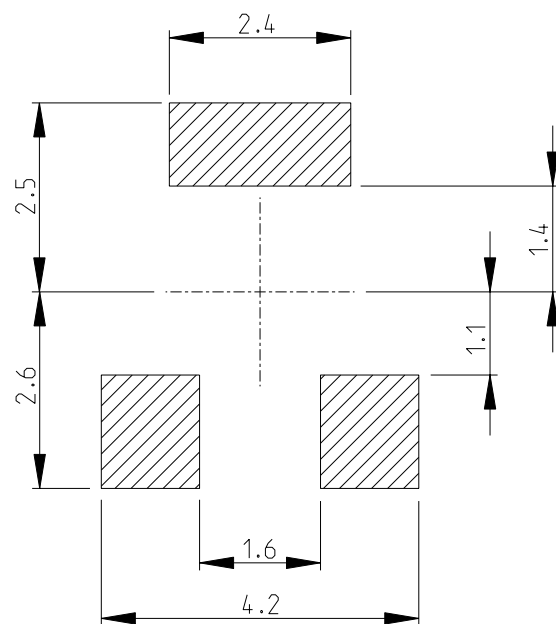
| LOC | DIST | REVISIONS | | | | |
|-----|------|-------------|---------------------------|-----------|------|-----|
| P | LTR | DESCRIPTION | DATE | DWN | APVD | |
| E | B | BB1 | REVISED PER ECO-11-005150 | 29MAR2011 | RK | HMR |



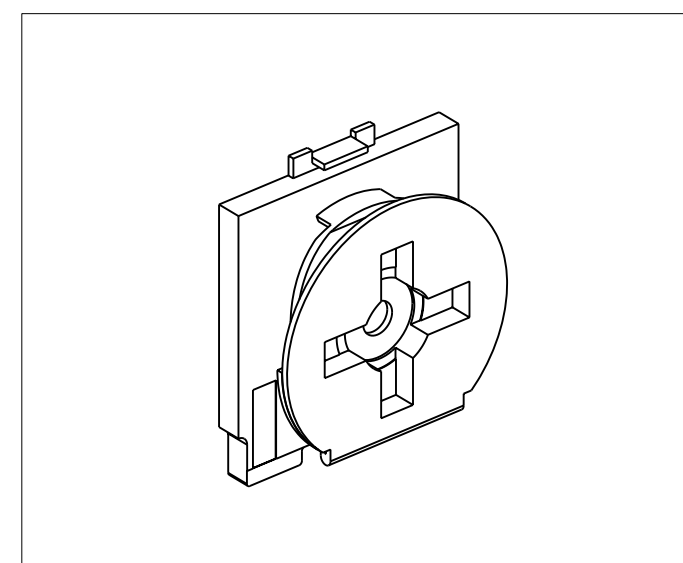
1 DRIVER SLOT: WIDTH- 0.55mm, LENGTH- 2.5mm, DEPTH- 0.35mm


2 FOR FURTHER INFORMATION SEE DATA SHEET FOR 3150 SERIES-SMD ECONOMY TRIMMERS

RECOMMENDED LAND PATTERN



RoHS Compliant



| | | | | | | | | | | | | |
|----------------------------------------------------------------------------------|--|------------------|---------------------|--|----------------------------------------------------------------------------------------------------------------------------------------------|------|-----------|-------|------------|---------|---------------|-----|
| THIS DRAWING IS A CONTROLLED DOCUMENT. | | DWN | SUBHASH.M 12-NOV-08 | |  TE Connectivity SMD ECONOMY TRIMMERS SERIES 3150 | | | | | | | |
| DIMENSIONS: mm | | CHK | PRAKASH.S 12-NOV-08 | | | | | | | | | |
| TOLERANCES UNLESS OTHERWISE SPECIFIED: | | APVD | STEPHEN.P 12-NOV-08 | | | | | | | | | |
| 0 PLC ± 0.2 1 PLC ± 0.1 2 PLC ± - 3 PLC ± - 4 PLC ± - ANGLES ± 5° | | PRODUCT SPEC | - | | | | | | | | | |
| MATERIAL - | | FINISH | - | | APPLICATION SPEC | - | | | | | | |
| | | WEIGHT | 0.2g | | SIZE | A3 | CAGE CODE | 00779 | DRAWING NO | 1623913 | RESTRICTED TO | - |
| | | CUSTOMER DRAWING | | | SCALE | 10:1 | SHEET | 1 | OF | 1 | REV | BB1 |